

# Стековые сушильные машины НТТ45 (45 фунтов). Технические характеристики.



Архангельск (8182)63-90-72  
Астана (7172)727-132  
Астрахань (8512)99-46-04  
Барнаул (3852)73-04-60  
Белгород (4722)40-23-64  
Брянск (4832)59-03-52  
Владивосток (423)249-28-31  
Волгоград (844)278-03-48  
Вологда (8172)26-41-59  
Воронеж (473)204-51-73  
Екатеринбург (343)384-55-89  
Иваново (4932)77-34-06

Ижевск (3412)26-03-58  
Иркутск (395)279-98-46  
Казань (843)206-01-48  
Калининград (4012)72-03-81  
Калуга (4842)92-23-67  
Кемерово (3842)65-04-62  
Киров (8332)68-02-04  
Краснодар (861)203-40-90  
Красноярск (391)204-63-61  
Курск (4712)77-13-04  
Липецк (4742)52-20-81  
Киргизия (996)312-96-26-47

Магнитогорск (3519)55-03-13  
Москва (495)268-04-70  
Мурманск (8152)59-64-93  
Набережные Челны (8552)20-53-41  
Нижний Новгород (831)429-08-12  
Новокузнецк (3843)20-46-81  
Новосибирск (383)227-86-73  
Омск (3812)21-46-40  
Орел (4862)44-53-42  
Оренбург (3532)37-68-04  
Пенза (8412)22-31-16  
Казахстан (772)734-952-31

Пермь (342)205-81-47  
Ростов-на-Дону (863)308-18-15  
Рязань (4912)46-61-64  
Самара (846)206-03-16  
Санкт-Петербург (812)309-46-40  
Саратов (845)249-38-78  
Севастополь (8692)22-31-93  
Симферополь (3652)67-13-56  
Смоленск (4812)29-41-54  
Сочи (862)225-72-31  
Ставрополь (8652)20-65-13  
Таджикистан (992)427-82-92-69

Сургут (3462)77-98-35  
Тверь (4822)63-31-35  
Томск (3822)98-41-53  
Тула (4872)74-02-29  
Тюмень (3452)66-21-18  
Ульяновск (8422)24-23-59  
Уфа (347)229-48-12  
Хабаровск (4212)92-98-04  
Челябинск (351)202-03-61  
Череповец (8202)49-02-64  
Ярославль (4852)69-52-93

Единый адрес для всех регионов: [hcs@nt-rt.ru](mailto:hcs@nt-rt.ru) || [www.huesbsch.nt-rt.ru](http://www.huesbsch.nt-rt.ru)

## On-Premises 45-lb Stack Tumble Dryer



Our line of stack tumble dryers\* provides double the capacity of Huebsch single-pocket tumble dryers, while using only half the floor space. Plus, you'll still only need one set of gas, electric and exhaust hookups, simplifying installation.

### Efficient

A high-performance heater box and axial airflow pattern with sealed cylinder rims delivers the fastest, most efficient drying results in the industry. This efficiency reduces drying times and helps on-premises laundries increase throughput, while decreasing operating costs.

### Easy to Operate

Fewer moving parts mean fewer maintenance problems and less wear, while large lint compartments are easy to keep clean, saving additional operator time.

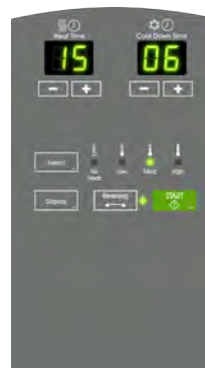
### Performance

Available in 30 lb per pocket and 45 lb per pocket capacities, there's a stack tumble dryer to meet the needs of any on-premises laundry.



### Galaxy™

The Galaxy Control offers the flexibility of 30 programmable cycles combined with the accuracy of our moisture-sensing technology saving time and energy increasing the life of your linens, saving time and energy.



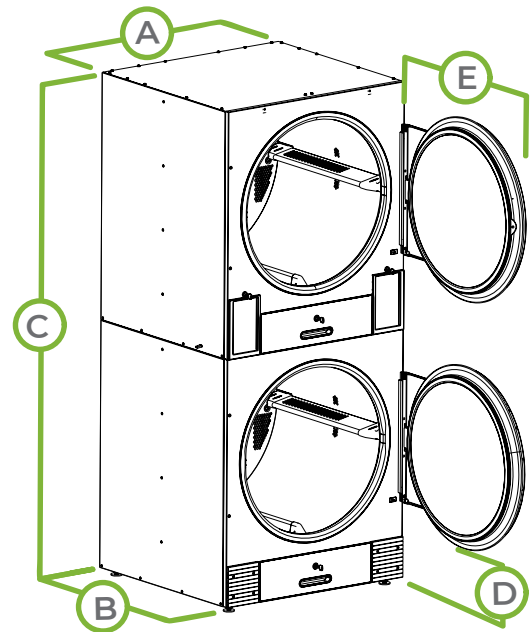
### Dual Digital

With features including one-touch repeat, automatic extended tumble and a large digital countdown display, it's simple to set your drying time, temperature and cool down with the Dual Digital Control.

\* Not all models are available in all markets. In order to highlight key details, machine images do not adhere to a standard scale.

## On-Premises 45-lb Stack Tumble Dryer Specifications

MODEL		HTT45	
CONTROL OPTION		Galaxy, Dual Digital	
CAPACITY - lb (kg)		45 (20) x 2	
OVERALL WIDTH - in (mm)		34.5 (875)	
OVERALL DEPTH - in (mm)		48.6 (1235)	
OVERALL HEIGHT - in (mm)		81.3 (2065)	
CYLINDER DIAMETER - in (mm)		33.0 (838)	
CYLINDER DEPTH - in (mm)		30.0 (762)	
CYLINDER VOLUME - cu. ft. (liters)		14.8 (420)	
REVERSING CYLINDER		Option	
DOOR OPENING SIZE - in (mm)		26.9 (683)	
HEAT INPUT POWER		95,000 x 2 Btu/hr	
GAS CONNECTIONS* - in (npt)		0.5	
AIR OUTLET - in (mm)		1 x 10 (250) Oval	
MOTOR - hp		2 x 0.5	
AIRFLOW - cfm		2x 600	
ELECTRICAL SPECS - amps	X	200-240V/50/60/1/3	12
	N	440-480V/50/60/3	6
SHIPPING DIMENSIONS APPROX. - in (mm)	Width	35.5 (902)	
	Depth	54.0 (1372)	
	Height	84.9 (2156)	
NET WEIGHT - lb (kg)		710 (320)	
SHIPPING WEIGHT - lb (kg)		750 (340)	
AGENCY APPROVALS		CSA	



MODEL	HTT45
A. OVERALL WIDTH - in (mm)	34.5 (875)
B. OVERALL DEPTH - in (mm)	48.6 (1235)
C. OVERALL HEIGHT - in (mm)	81.3 (2065)
D. DOOR BOTTOM TO FLOOR - in (mm)	9.3 (235)
E. DOOR SWING - in (mm)	31.9 (810)

\* LP gas available for 50,75 lb capacities only. Field conversion kits available for other capacities.

Tumble dryer models are made to suit a variety of electrical service characteristics. See your Huebsch distributor for specifications. For further details on installation, refer to Installation, Operation and Maintenance instructions supplied with the tumble dryer. Amperage ratings available in Installation Manual.

For the most accurate information, the installation guide should be used for all design and construction purposes. Due to continuous product improvements, design and specifications subject to change without notice. The quality management systems at Alliance Laundry Systems are registered to ISO 9001.

Архангельск (8182)63-90-72  
Астана (7172)727-132  
Астрахань (8512)99-46-04  
Барнаул (3852)73-04-60  
Белгород (4722)40-23-64  
Брянск (4832)59-03-52  
Владивосток (423)249-28-31  
Волгоград (844)278-03-48  
Вологда (8172)26-41-59  
Воронеж (473)204-51-73  
Екатеринбург (343)384-55-89  
Иваново (4932)77-34-06

Ижевск (3412)26-03-58  
Иркутск (395)279-98-46  
Казань (843)206-01-48  
Калининград (4012)72-03-81  
Калуга (4842)92-23-67  
Кемерово (3842)65-04-62  
Киров (8332)68-02-04  
Краснодар (861)203-40-90  
Красноярск (391)204-63-61  
Курск (4712)77-13-04  
Липецк (4742)52-20-81  
Киргизия (996)312-96-26-47

Магнитогорск (3519)55-03-13  
Москва (495)268-04-70  
Мурманск (8152)59-64-93  
Набережные Челны (8552)20-53-41  
Нижний Новгород (831)429-08-12  
Новокузнецк (3843)20-46-81  
Новосибирск (383)227-86-73  
Омск (3812)21-46-40  
Орел (4862)44-53-42  
Оренбург (3532)37-68-04  
Пенза (8412)22-31-16  
Казахстан (772)734-952-31

Пермь (342)205-81-47  
Ростов-на-Дону (863)308-18-15  
Рязань (4912)46-61-64  
Самара (846)206-03-16  
Санкт-Петербург (812)309-46-40  
Саратов (845)249-38-78  
Севастополь (8692)22-31-93  
Симферополь (3652)67-13-56  
Смоленск (4812)29-41-54  
Сочи (862)225-72-31  
Ставрополь (8652)20-65-13  
Таджикистан (992)427-82-92-69

Сургут (3462)77-98-35  
Тверь (4822)63-31-35  
Томск (3822)98-41-53  
Тула (4872)74-02-29  
Тюмень (3452)66-21-18  
Ульяновск (8422)24-23-59  
Уфа (347)229-48-12  
Хабаровск (4212)92-98-04  
Челябинск (351)202-03-61  
Череповец (8202)49-02-64  
Ярославль (4852)69-52-93